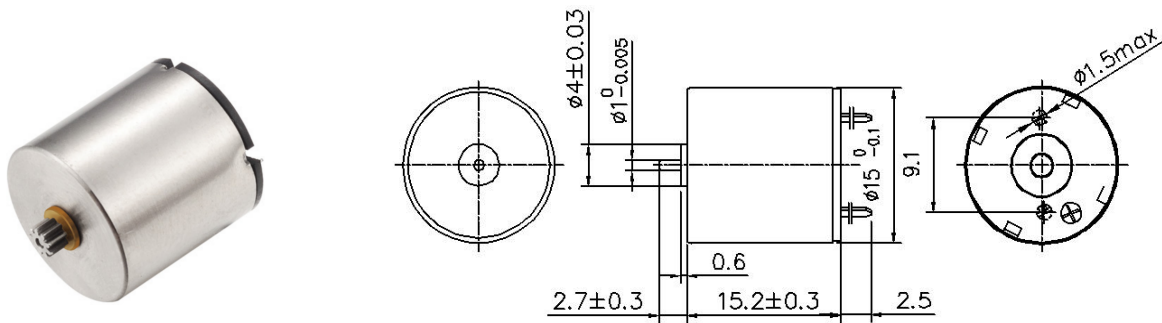


1515R Coreless Brush Motor

Coreless Brush Motors



Typical Applications: RC servo. Door lock. Robot. AI robot

电机参数 (Motor data)		03A	05A	13A	06A		
额定电压下数值 (Values at nominal voltage)							
1 额定电压 (Nominal voltage)	V	5	5	7.4	12		
2 空载转速 (No load speed)	rpm	18300	20500	26200	23300		
3 空载电流 (No load current)	mA	60	60	65	30		
4 额定转速 (Nominal speed)	rpm	16000	18400	24150	20700		
5 额定转矩 (最大连续转矩) (Nominal torque)	mNm	0.6	0.6	0.6	0.6		
6 额定电流 (最大连续电流) (Nominal current)	A	0.28	0.32	0.25	0.14		
7 堵转转矩 (Stall torque)	mNm	4.86	5.68	7.6	5.58		
8 堵转电流 (Stall current)	A	1.92	2.5	2.89	1.27		
9 最大效率 (Max efficiency)	%	72	74	76	70		
电机常数 (Motor constant)							
10 相间电阻 (Terminal resistance)	Ω	2.6	2	2.56	10.3		
11 转矩常数 (Torque constant)	mNm/A	2.56	2.28	2.64	4.82		
12 速度常数 (Speed constant)	rpm/V	3660	4100	3541	1942		

其他特性参数 Other characteristic parameters

- 13 环境温度范围 (Ambient temperature) -10~40℃
- 14 绕组最高允许温度 (Max permissible winding temperature) 80℃
- 15 最高允许转速 (Max permissible speed) 30000rpm
- 16 电极磁极对数 (Number of the pole pairs) 1
- 17 换向器片数 (Number of the commutator segments) 5
- 18 电机质量 (Weight) 10g

03A电机曲线图 motor curve

